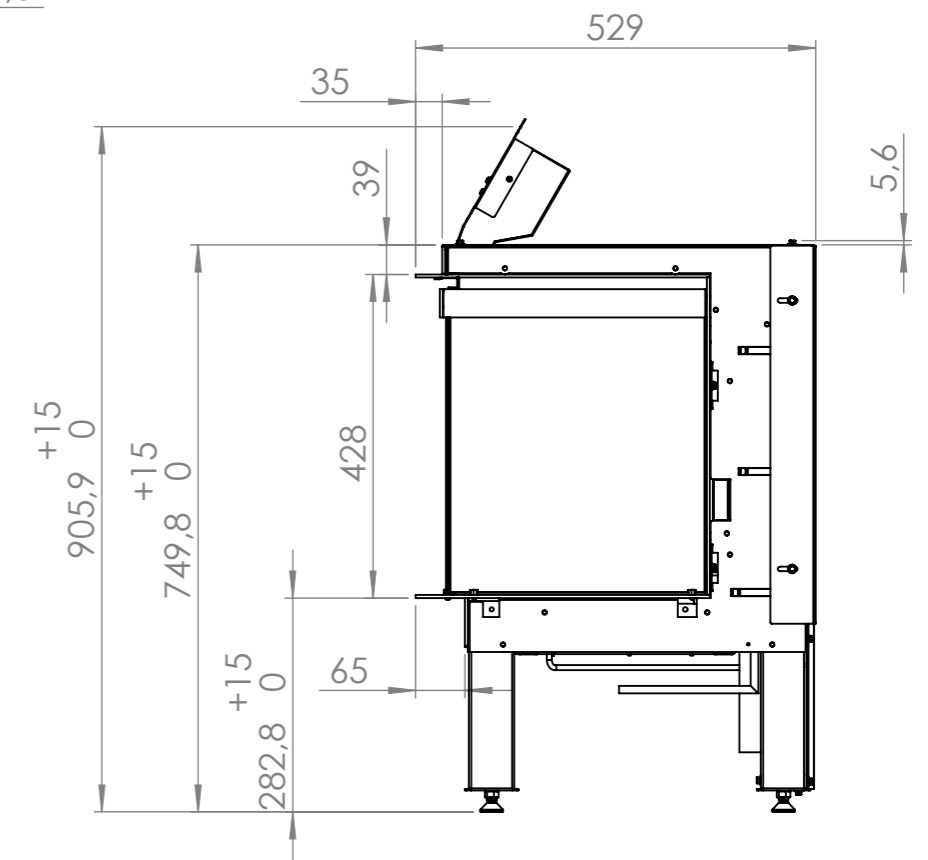
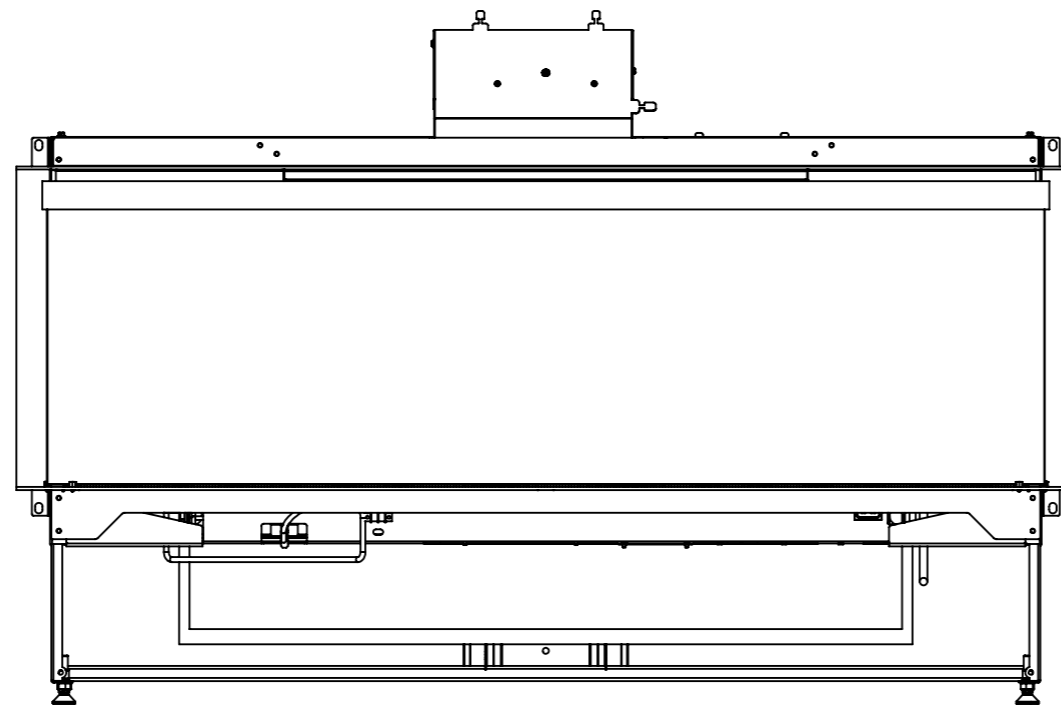
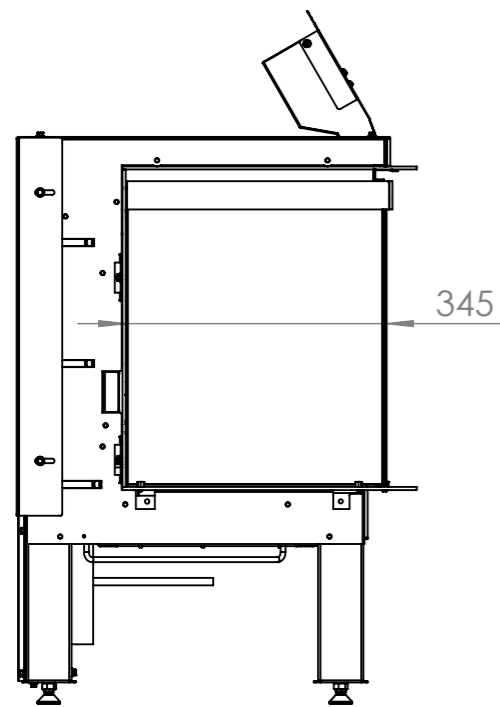
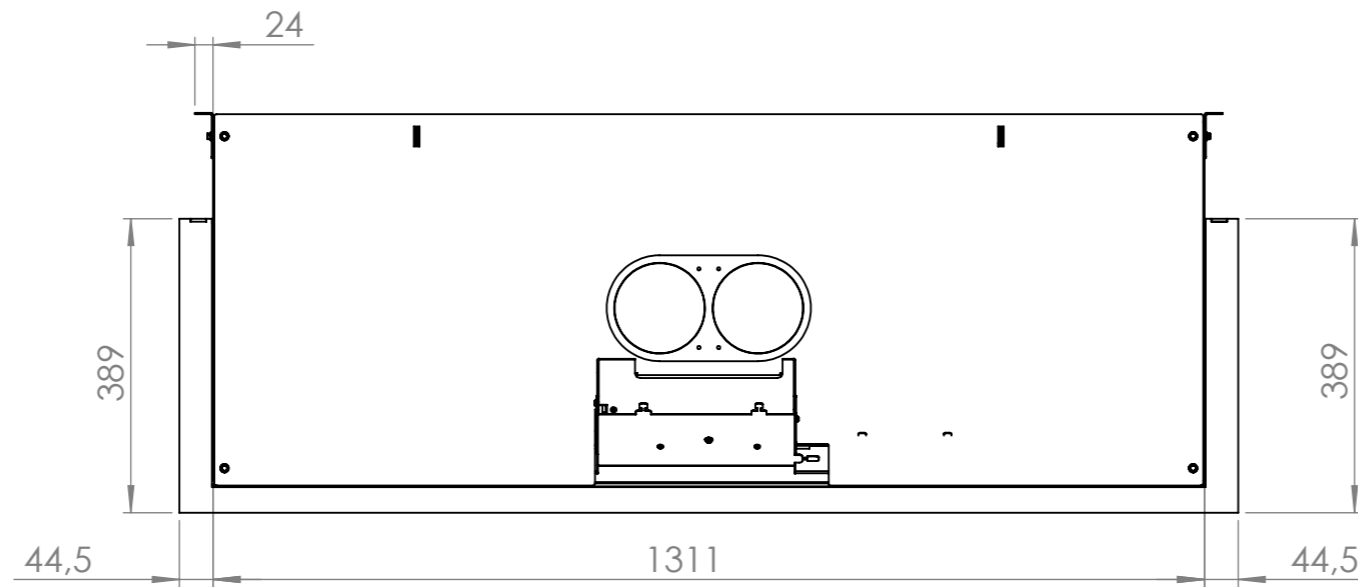


Config: 3-zijdig



ISO 2768-mK	Treatment:					
Third Angle Projection ISO 128-Method A	Material:					
	Mass (Kg):	Date:	Author:	Scale:	Page:	Dimensions:
	142.23	5-4-2022	RS	1:10	2/4	mm
	Description:					Revision:
	E-ONE 130 3S ASSY					01
Document Number:					Frame_size:	
KF02931					A3	
All rights reserved. Copywrited / Reprints prohibited. Kal-fire BV						State : In Progress